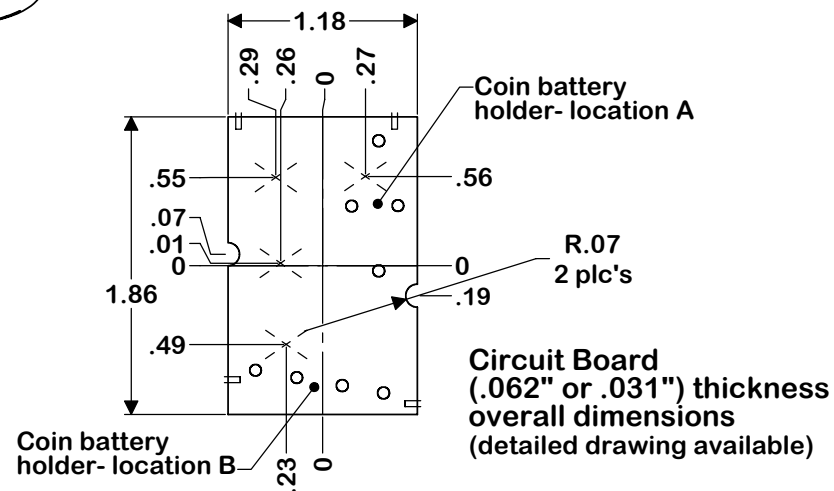
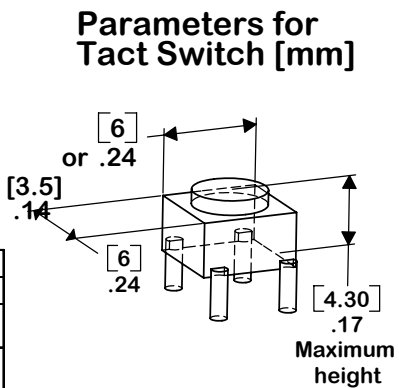


**NOTES:**

1) Serpac Provides the following components:  
Top, Bottom, Buttons, (2) #2 Screws and a Ring  
All Components are shipped unassembled.

2) The following components fit this enclosure.

	Manufacturer	PN option I	PN option II
A	OMRON	6mm type: B3F-1000, B3F-1002, B3F-1020	
A	PANASONIC	6mm EVQ-P1D05M, EVQ-PAG04M, EVQ-PAE04M	6 X 3.5mm type: EVQ-PJA04Q, EVQ-PJA05Q, EVQ-PJB04K
Other switches manufacturers and types will fit the unit. Please see parameters for Tact Switch sketch.			
B+	KEYSTONE	3003 positive	
B-	KEYSTONE	2990 negative	



5/07/04

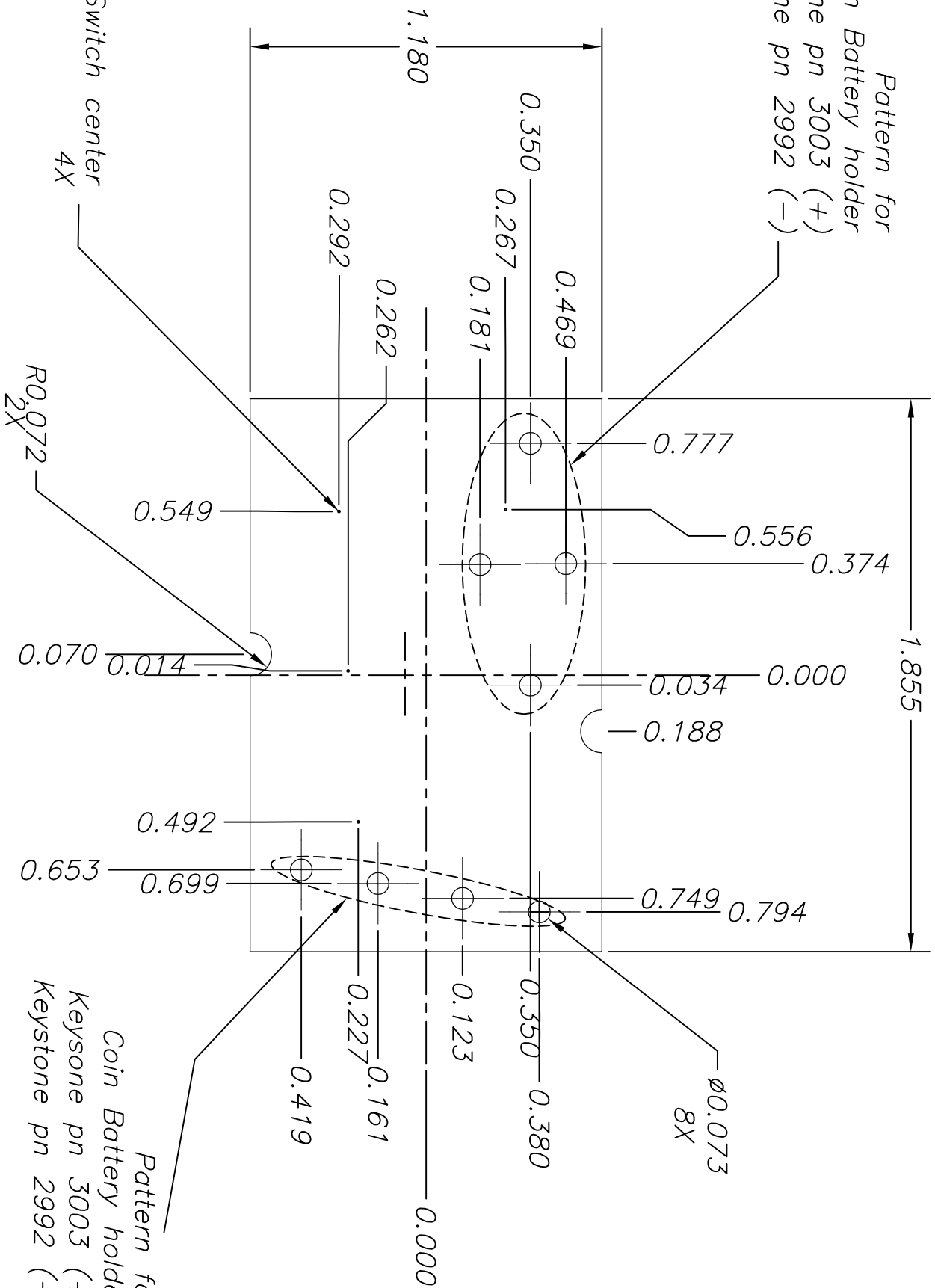
ALL DIMENSIONS ARE ± .010"

619 Commercial Ave. Covina, CA 91723  
(626) 331-0517 Fax (626) 331-8584 www.serpac.com.

# SERPAC Electronic Enclosures

## CIRCUIT BOARD CA4

Pattern for  
Coin Battery holder  
Keystone pn 3003 (+)  
Keystone pn 2992 (-)



Pattern for  
Coin Battery holder  
Keystone pn 3003 (+)  
Keystone pn 2992 (-)

NOTES:  
Not a Stocked item.  
05-2008 RevA New print.

619 Commercial Ave. Covina, CA 91723  
(626) 331-0517 Fax (626) 331-8584 <http://www.serpac.com>.